

### WARNING

Only personnel that have been trained to install, adjust, service or repair (hereinafter, “service”) the equipment specified in this manual should service the equipment. Daikin will not be responsible for any injury or property damage arising from improper service or service procedures. If you service this unit, you assume responsibility for any injury or property damage which may result. In addition, in jurisdictions that require one or more licenses to service the equipment specified in this manual, only licensed personnel should service the equipment. Improper installation, adjustment, servicing or repair of the equipment specified in this manual, or attempting to install, adjust, service or repair the equipment specified in this manual without proper training may result in product damage, property damage, personal injury or death.

## MODEL

DQ-P-AIH



\* Complete warranty details available from your local dealer/contractor or at [www.daikincomfort.com](http://www.daikincomfort.com).

## Description

The Daikin Air Intake Hood is the recommended cover for the outdoor air intake duct serving a Daikin *One* Powered Ventilator. The ventilation flow rates provided in the ventilator's manual are measured with this Intake Hood attached and they are certified by HVI.

## Proprietary Notice

This document and the information disclosed herein are proprietary data of Daikin North America LLC. Neither this document nor the information contained herein shall be reproduced, used, or disclosed to others without the written authorization of Daikin North America LLC, except to the extent required for installation or maintenance of recipient's equipment.

## Copyright Notice

Copyright 2020, Daikin North America LLC All rights reserved.

## Liability Notice

Daikin North America LLC does not accept any liability for installations of ventilation equipment installed by unqualified personnel or the use of parts/components/filters/equipment that are not authorized or approved by Daikin.

## Read and save these instructions

**WARNING!** This symbol indicates important instructions. Failure to heed them can result in serious injury or death.

**WARNING!** When cutting or drilling into wall, do not damage electrical wiring and other hidden utilities.

**CAUTION!** Make sure the outdoor air intake port complies with all local and national codes and is located at least 6 feet away from sources of contamination such as but not limited to: clothes dryer exhaust, furnace or central vacuum exhausts, gas appliances such as BBQ grills, garbage bins or other exhaust ports.

1. In addition to the Caution above, choose a location for the intake air port that is at least 18" above the ground (**Figure 1**) and:
  - a. Not located in proximity to an area where vehicles or motorized equipment are likely to idle for any length of time,
  - b. Not located where it might be obstructed by drifting snow (consult local experience as to the height of snow drifts against buildings), and
  - c. Not located within a zone of significant ground-level dust and debris generation (e.g. mowing, leaf blower use).
2. Cut a 6¼" hole through the outside wall of the building or use an existing hole if present (**Figure 1**).
3. From the outside of the building, slide the 6" diameter ducting of the Air Intake Hood assembly into the hole opening until the hood is flush against the outside wall surface (**Figure 2**).
4. Secure the Air Intake Hood to the outside wall using two (2) screws (not included). Caulk around the intake hood cover (**Figure 3**).

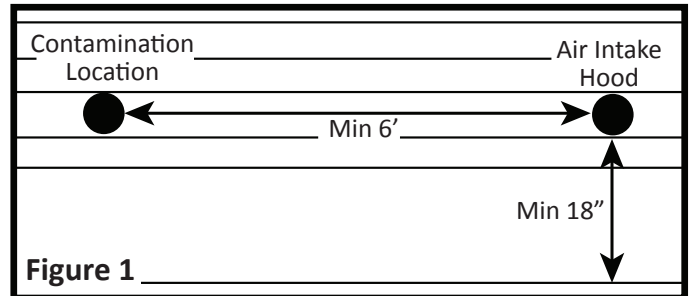


Figure 1

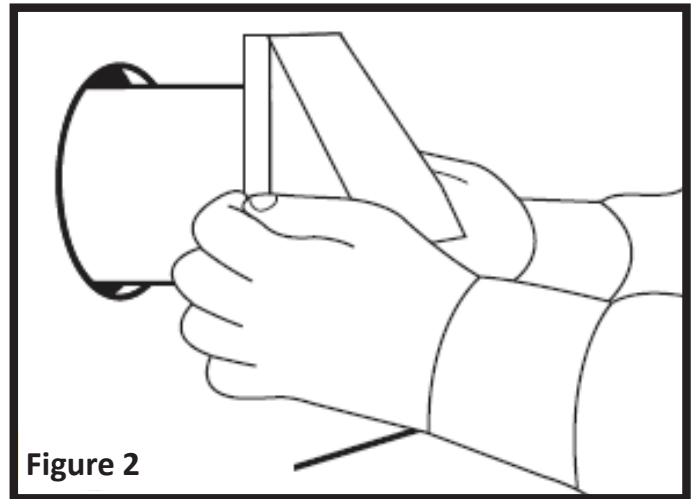


Figure 2

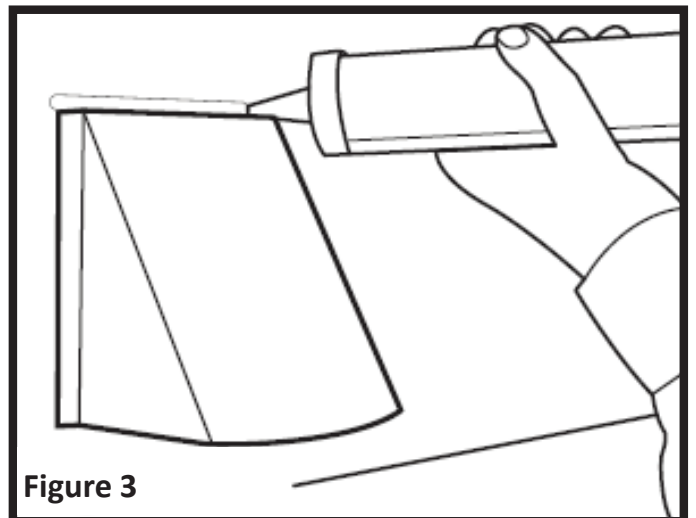


Figure 3

Daikin North America LLC reserves the right to discontinue or change at any time, specifications or designs without notice or without incurring obligations. Performance of the Ventilator and/or Accessories will depend on house plan design, duct design and heating/cooling equipment.

**Important: Read and save these instructions. This guide to be left with equipment owner.**